

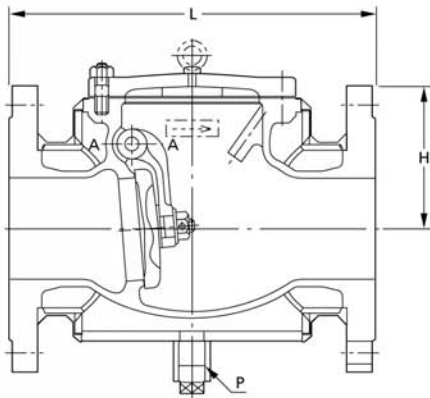
20K

## JACKETED SWING CHECK VALVE

Pressure-Temperature Rating:  
JIS B2220

20UOAJ

20UOAJM



### Materials

Parts	20UOAJ	20UOAJM
Body	SCS13A	SCS14A
Cover	SCS13A	SCS14A
Disc	SCS13A	SCS14A
Gasket	Refer to Page 10	
Hinge pin	SUS304	SUS316
Plug	SUS304	SUS316
Cover bolt/nut	SUS304/304	
Split pin	SUS316L	
Jacket*	STPG370+SS400	

\*The material may be changed depending on the service temperature.  
Note: Body seats and/or disc seats can be optionally hard-faced.



Items	
Face-to-Face Dimensions	KITZ Std.
End Flange Dimensions	JIS B2220
Wall Thickness	ASME B16.34

Nominal Size	Unit:mm			
	2×3	3×4	4×6	6×8
	50×80	80×100	100×150	150×200
L	254	314	383	421
H	146	180	200	255
P	Rc <sup>1</sup> / <sub>2</sub>	Rc <sup>1</sup> / <sub>2</sub>	Rc <sup>3</sup> / <sub>4</sub>	Rc <sup>3</sup> / <sub>4</sub>

\*The nominal sizes are indicated by [the valve nominal sizes] and [flange nominal sizes].