



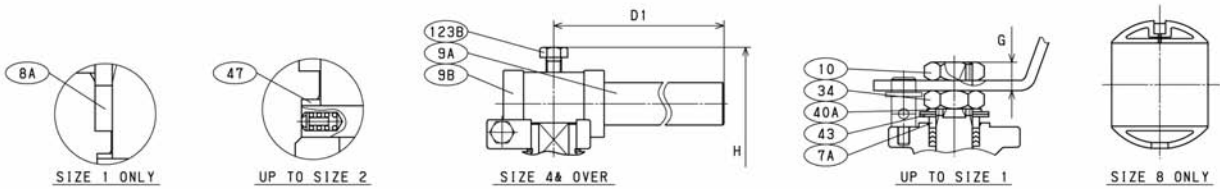
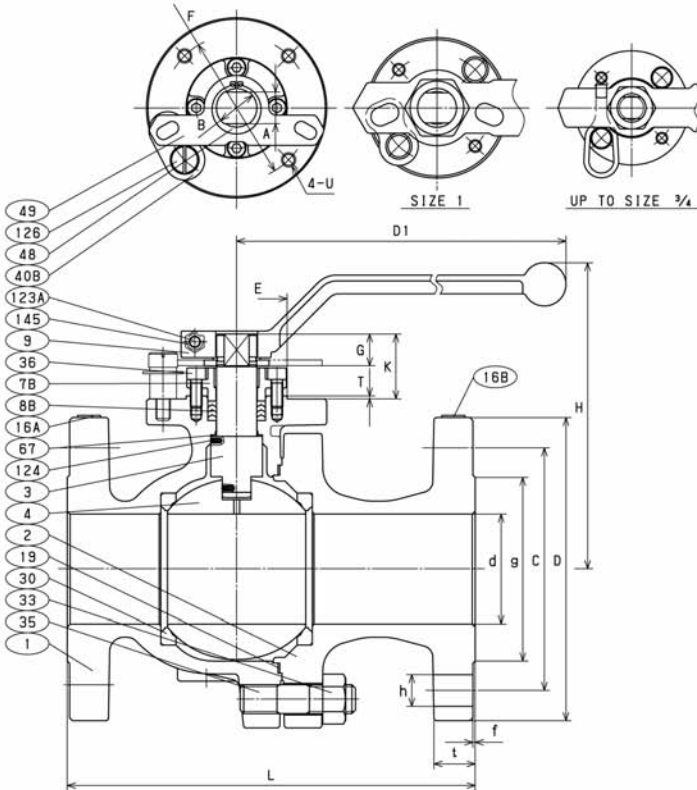
KITZ Corporation Of America
800-772-0073 • www.KITZ.com

CLASS 300 CARBON STEEL BALL VALVE/FLANGED

Two Piece/Split Body • Full Port • Stainless Steel Trim • Hypatite Seats
CAPI/ISO5211 Mounting Pad



300SCTBZM (C) 300SCTBZM-FS (C)



MATERIAL LIST

No.	Name of Parts	Materials
1	BODY	A216 Gr. WCB
2	BODY CAP	A216 Gr. WCB
3	STEM	A276 TYPE 316
4	BALL	A351 Gr. CF8M or A276 TYPE 316
7A	GLAND	A276 TYPE 316 (UP TO SIZE 1)
7B	GLAND	A351 Gr. CF8 (SIZE 1 1/2 & OVER)
8A	GLAND PACKING	300SCTBZM (C) PTFE (SIZE 1 ONLY) 300SCTBZM-FS (C) FLEXIBLE GRAPHITE
8B	GLAND PACKING	300SCTBZM (C) PTFE (EXCEPT FOR SIZE 1) 300SCTBZM-FS (C) FLEXIBLE GRAPHITE
9	HANDLE	STAINLESS STEEL (UP TO SIZE 1) DUCTILE IRON (SIZE 1 1/2-3)
9A	HANDLE BAR	CARBON STEEL (SIZE 4 & OVER)
9B	HANDLE HEAD	DUCTILE IRON (SIZE 4 & OVER)
10	HANDLE NUT	STAINLESS STEEL (UP TO SIZE 1)
16A	NAME PLATE	STAINLESS STEEL
16B	LEV PLATE	STAINLESS STEEL
19	GASKET	300SCTBZM (C) PTFE 300SCTBZM-FS (C) FLEXIBLE GRAPHITE
30	BALL SEAT	HYPATITE PTFE
33	CAP NUT	A194 Gr. 2HM
34	GLAND NUT	STAINLESS STEEL (UP TO SIZE 1)
35	CAP BOLT	A193 Gr. B7M
36	GLAND BOLT	A193 Gr. B8M
40A	LOCK PLATE	STAINLESS STEEL (UP TO SIZE 1)
40B	KEY LOCK PLATE	STAINLESS STEEL
43	CONED DISC SPRING	STAINLESS STEEL (UP TO SIZE 1)
47	THRUST WASHER	C/F PTFE (SIZE 1/2 & 3/4) G/F PTFE (SIZE 1-2)
48	SNAP RING	CARBON STEEL (SIZE 1 1/2 & OVER)
49	STOPPER	STAINLESS STEEL (SIZE 1 1/2 & OVER)
67	STEM BEARING	G/F PTFE (SIZE 3 & OVER)
123A	HANDLE BOLT	STAINLESS STEEL (SIZE 1 1/2 & OVER)
123B	HANDLE BOLT	STAINLESS STEEL (SIZE 4 & OVER)
124	SPRING & PIN	STAINLESS STEEL
126	STOPPER PIN	STAINLESS STEEL
145	SPRING WASHER	STAINLESS STEEL (SIZE 1 1/2 & OVER)
155	SPACER	300SCTBZM-FS (C) REINFORCED PTFE (UP TO SIZE 1)

DIMENSIONS

Unit : inch

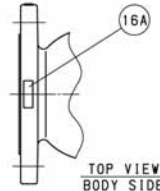
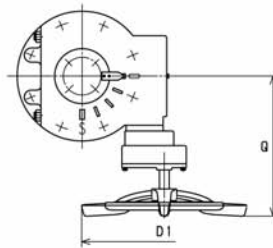
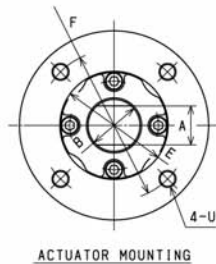
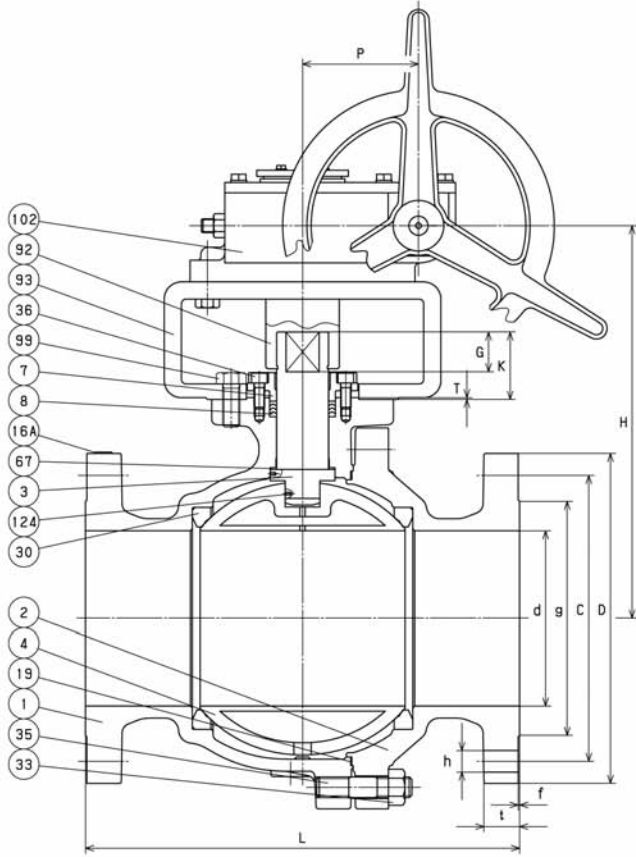
Nominal Size	End Flange																	Mounting Dimensions for Actuator							ISO 5211 Flange Type
	in.	mm	d	H	D1	L	D	Bolt Hole			g	t	f	A	B	E	F	G	K	T	U				
								C	No.	h												Bolt Size			
1/2	15	0.55	4.53	6.30	5.50	3.75	2.62	4	0.62	1/2	1.38	0.56	0.06	0.355	0.473	0.985	1.417	0.39	0.85	0.06	1/4-20UNC	F03			
3/4	20	0.75	4.72	6.30	6.00	4.62	3.25	4	0.75	5/8	1.69	0.62	0.06	0.355	0.473	0.985	1.417	0.39	0.85	0.06	1/4-20UNC	F03			
1	25	0.95	5.28	7.09	6.50	4.88	3.50	4	0.75	5/8	2.00	0.69	0.06	0.552	0.709	1.378	1.969	0.55	1.26	0.08	1/4-20UNC	F05			
1 1/2	40	1.50	5.63	9.06	7.50	6.14	4.50	4	0.88	3/4	2.88	0.81	0.06	0.670	0.867	2.166	2.756	0.67	1.34	0.08	5/16-18UNC	F07			
2	50	1.97	5.98	9.06	8.50	6.50	5.00	8	0.75	5/8	3.62	0.88	0.06	0.670	0.867	2.166	2.756	0.67	1.34	0.08	5/16-18UNC	F07			
2 1/2	65	2.52	8.11	15.75	9.50	7.50	5.88	8	0.88	3/4	4.12	1.00	0.06	0.867	1.103	2.756	4.016	0.87	1.77	0.08	3/8-16UNC	F10			
3	80	3.00	8.39	15.75	11.12	8.25	6.62	8	0.88	3/4	5.00	1.12	0.06	0.867	1.103	2.756	4.016	0.87	1.77	0.08	3/8-16UNC	F10			
4	100	3.94	10.08	29.50	12.00	10.00	7.88	8	0.88	3/4	6.19	1.25	0.06	1.063	1.418	3.347	4.921	1.06	1.97	0.08	1/2-13UNC	F12			
6	150	5.95	12.60	39.37	15.88	12.50	10.62	12	0.88	3/4	8.50	1.44	0.06	1.418	1.890	3.937	5.512	1.42	2.48	0.08	5/8-11UNC	F14			
8	200	7.95	16.34	59.06	19.75	15.00	13.00	12	1.00	7/8	10.62	1.62	0.06	1.811	2.362	5.118	6.496	1.81	3.07	0.08	3/4-10UNC	F16			



KITZ Corporation Of America
800-772-0073 • www.KITZ.com

GEAR OPERATED
CLASS 300 CARBON STEEL BALL VALVE/FLANGED
Two Piece/Split Body • Full Port • Stainless Steel Trim • Hypatite Seats
CAPI/ISO5211 Mounting Pad

G-300SCTBZM (C)
G-300SCTBZM-FS (C)



MATERIAL LIST

No.	Name of Parts	Materials
1	BODY	A216 Gr. WCB
2	BODY CAP	A216 Gr. WCB
3	STEM	A276 TYPE 316
4	BALL	A351 Gr. CF8M
7	GLAND	A351 Gr. CF8M
8	GLAND PACKING	G-300SCTBZM (C)
		PTFE
		G-300SCTBZM-FS (C)
		FLEXIBLE GRAPHITE
16 A	NAME PLATE	STAINLESS STEEL
16 B	LEV PLATE	STAINLESS STEEL
19	GASKET	G-300SCTBZM (C)
		PTFE
		G-300SCTBZM-FS (C)
		FLEXIBLE GRAPHITE
30	BALL SEAT	HYPATITE PTFE
33	CAP NUT	A194 Gr. 2HM
35	CAP BOLT	A193 Gr. B7M
36	GLAND BOLT	A193 Gr. B8M
67	STEM BEARING	C/F PTFE
92	CONNECTOR	CARBON STEEL
93	BRACKET	DUCTILE IRON
99	BOLT	CARBON STEEL
102	GEAR UNIT	
124	SPRING & PIN	A313 & A276 TYPE 316

DIMENSIONS

Unit : inch

Nominal Size	End Flange																				Mounting Dimensions for Actuator										ISO 5211 Flange Type
	in.	mm	d	H	D1	L	D	Bolt Hole				Bolt Size	g	t	f	P	Q	A	B	E	F	G	K	T	U						
								C	No.	h																					
8	200	7.95	17.87	19.69	19.75	15.00	13.00	12	1.00	7/8	10.62	1.62	0.06	5.28	16.14	1.811	2.362	5.118	6.496	1.81	3.07	0.08	3/4-10UNC	F16							